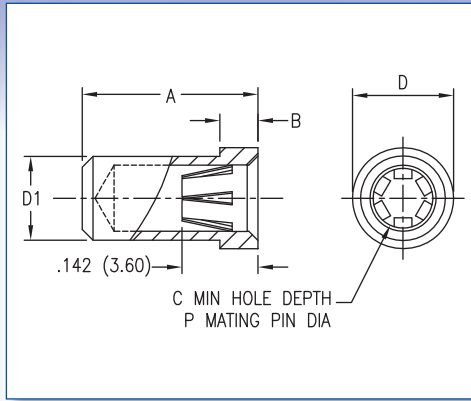
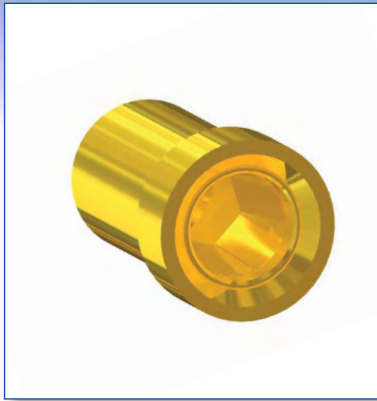


SINGLE POLE SOCKETS - SOLDER MOUNT, .084-.102 PIN DIA (2.13-2.59)

Dimensions in inches (mm)



How to order code
450 - 8059 - 01 - XX - 00
 Basic Part No. | Socket Finish

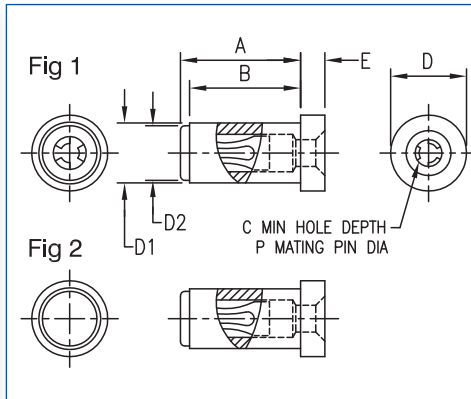
Material Code Table		
Component	Material	RoHS
Body	Brass	✓
Spring	Beryllium Copper (Heat Treated)	✓

Finish Code Table			
Dash No.	Body Finish	Spring Finish	RoHS
-03	Gold over Nickel	Gold over Nickel	✓
-06	Electro-Tin	Gold over Nickel	✓

Basic Part No.	A	B	D	D1	C	P	Mtg. Hole Diameter
450-8059 -01	.327 (8.30)	.071 (1.80)	.188 (4.78)	.156 (3.96)	.268 (6.80)	.084-.102 (2.13-2.59)	.160 (4.06)

SINGLE POLE SOCKETS - SOLDER MOUNT, GUIDED ENTRY

Dimensions in inches (mm)



How to order code
450 - 37XX -01 - XX - 00
 Basic Part No. | Finish

Material Code Table		
Component	Material	RoHS
Body	Brass	✓
Spring	Beryllium Copper (Heat Treated)	✓

Finish Code Table			
Dash No.	Body Finish	Spring Finish	RoHS
-03	Gold over Nickel	Gold over Nickel	✓
-04	Electro-Tin	Electro-Tin	✓
-06	Electro-Tin	Gold over Nickel	✓

Fig.	Basic Part No.	P	A	B	D	D1	D2	C	E	Mtg. Hole Diameter
1	450-3760 -01	.040 (1.02)	.193 (4.90)	.182 (4.62)	.125 (3.18)	.100 (2.54)	.092 (2.34)	-	.040 (1.02)	.104 (2.64)
2	450-3783 -01	.040 (1.02)	.198 (5.03)	.182 (4.62)	.125 (3.18)	.100 (2.54)	.092 (2.34)	.210 (5.33)	.040 (1.02)	.104 (2.64)